

Welcome to TACO!

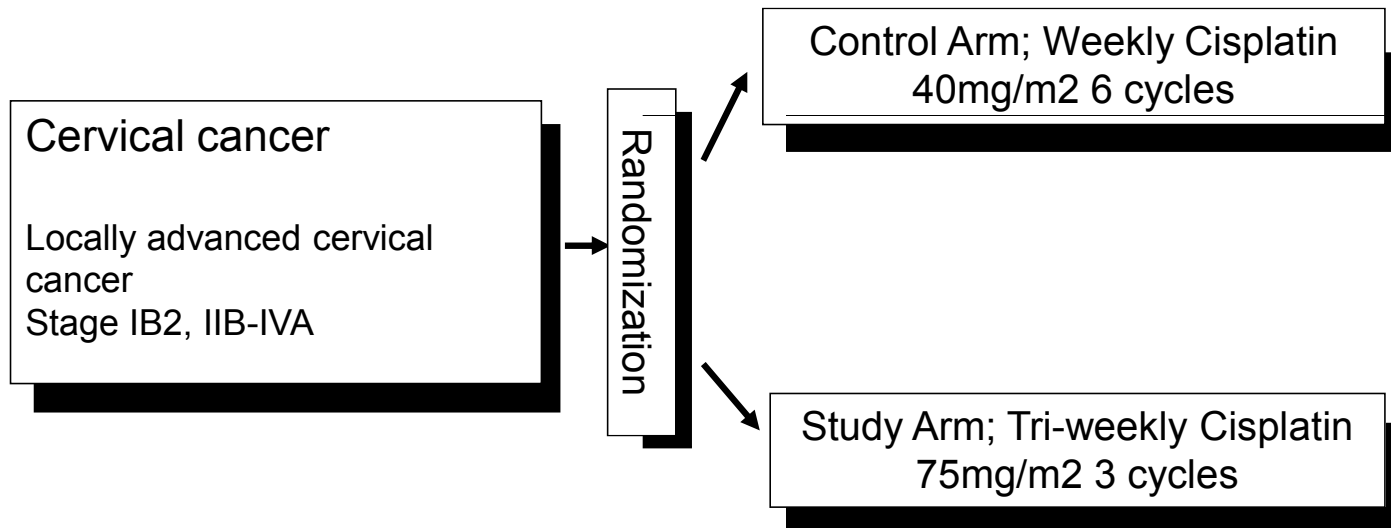


TACO

GCIG/KGOG1027/TGCS2012: Randomized Phase III
Clinical Trial Comparing Weekly vs Tri-weekly Cisplatin
Based Concurrent Chemoradiation in Locally Advanced
Cervical Cancer

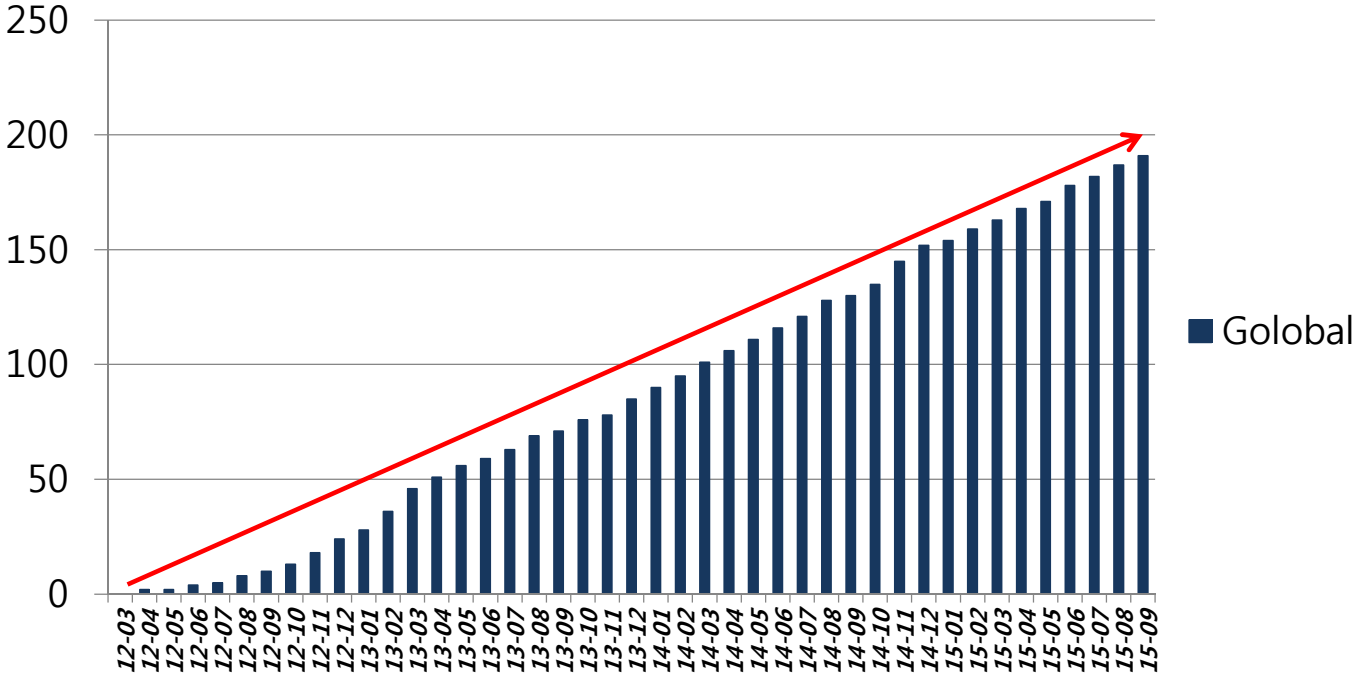
TACO

(Tri-weekly Administration of Cisplatin in Locally Advanced Cervical Cancer)



Accrual of TACO 2015.09.30

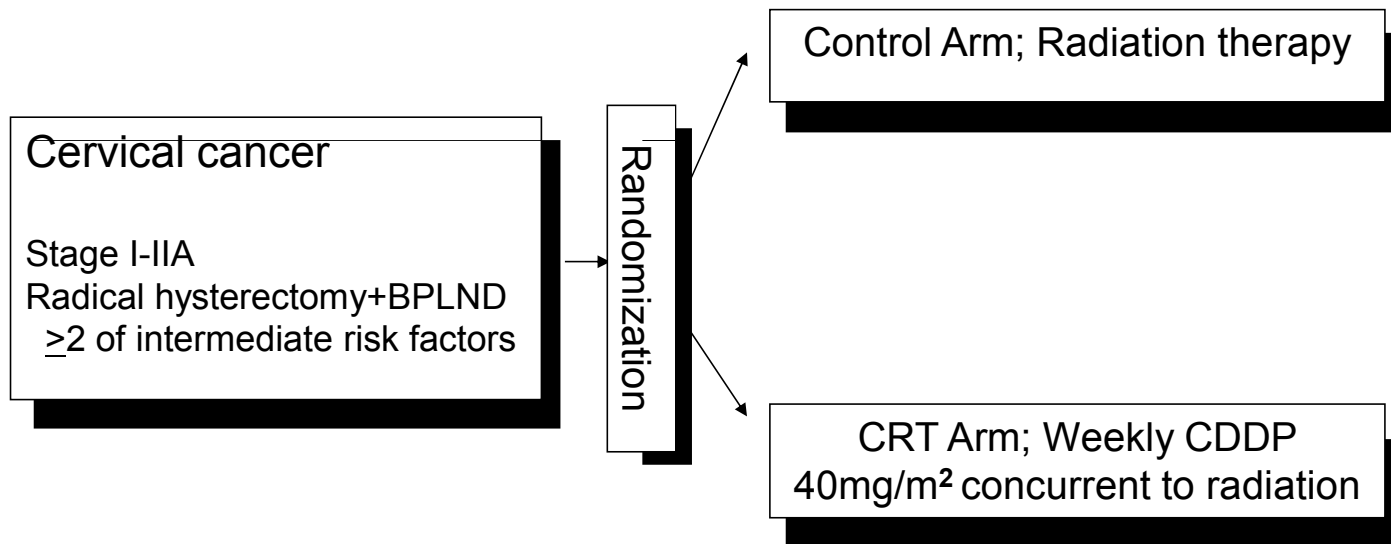
Golobal



GOG 263/KGOG 1008

PI; Sang Young Ryu, MD

Randomized Phase III Clinical Trial of Adjuvant Radiation vs Chemoradiation In Intermediate Risk, Stage I/IIA Cervical Cancer Treated With Initial Radical Hysterectomy and Pelvic Lymphadenectomy



Eligibility Criteria (GOG 263=GOG 92)

TABLE 1
Eligibility Criteria

CLS ^a	Stromal invasion	Tumor size
Positive	Deep 1/3	Any
Positive	Middle 1/3	≥2 cm
Positive	Superficial 1/3	≥5 cm
Negative	Deep or middle 1/3	≥4 cm

^a Capillary lymphatic space tumor involvement.

Accrual of GOG 263

Golobal

